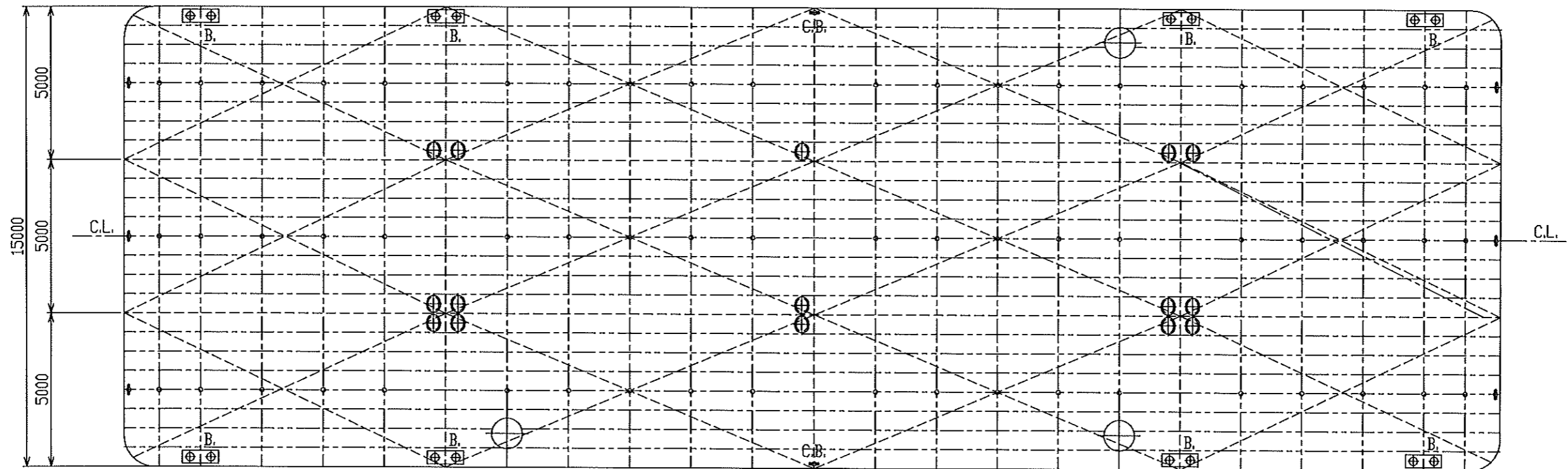
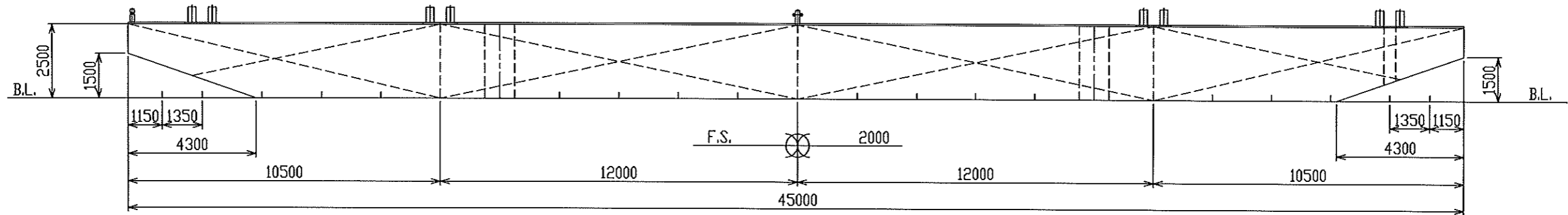
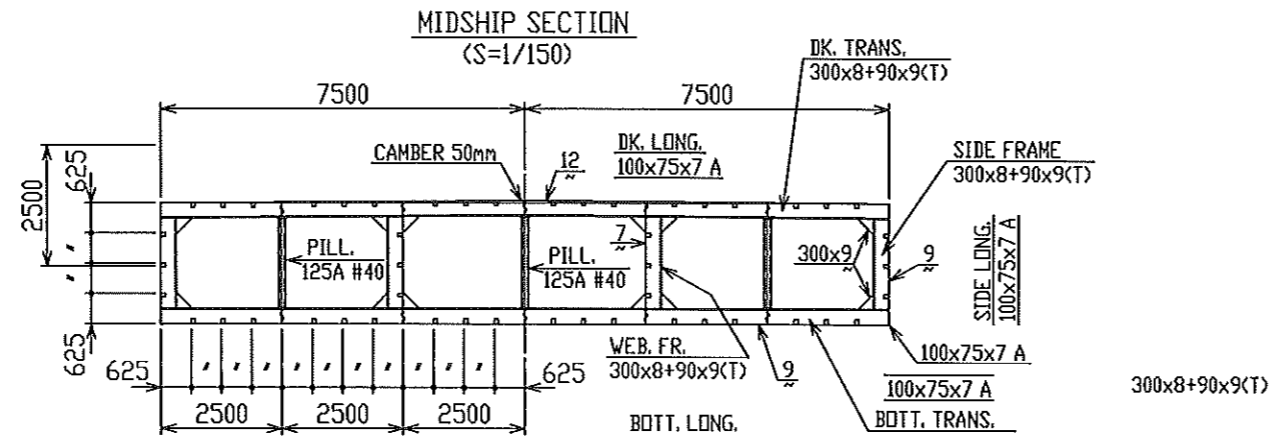


PRINCIPAL DIMENSIONS

LENGTH (O.A.)	45.00 M
BREADTH (M.L.D.)	15.00 M
DEPTH (M.L.D.)	2.50 M



GENERAL ARRANGEMENT
(S=1/150)